

Genie®

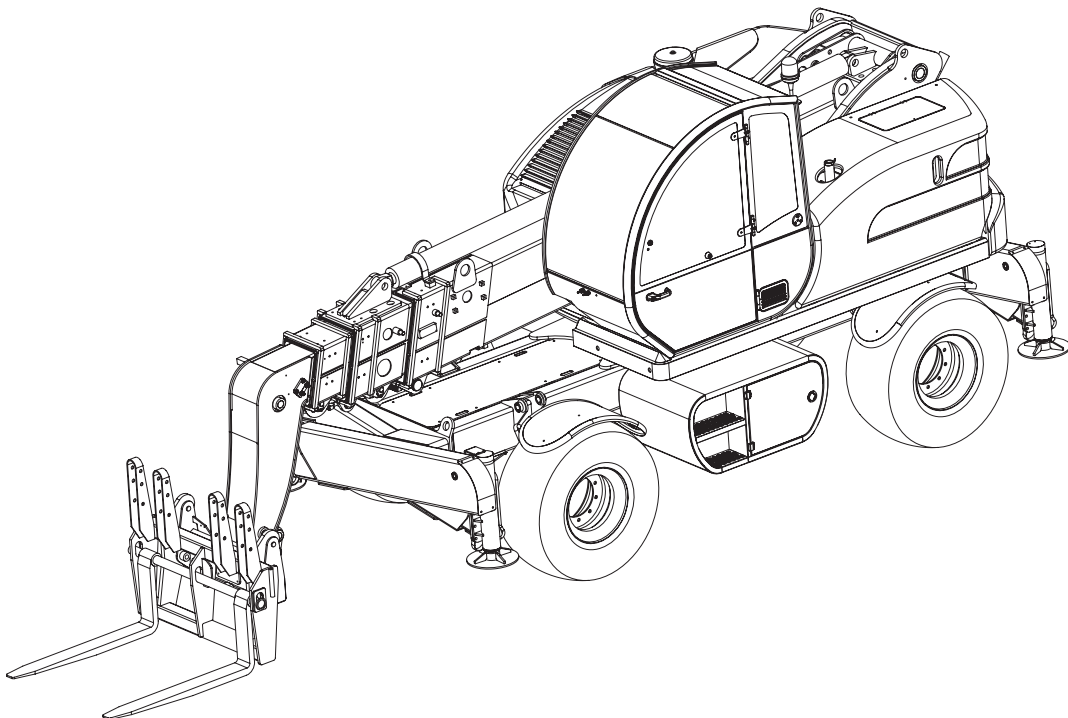
A TEREX COMPANY

SERVICE MANUAL

Code 57.4403.2200 - 1st Edition 02/2008

Handler with telescopic boom

GTH-6025 R (da matr. 16760)



English
Edition

INDEX

MANUAL CONTENTS

INTRODUCTION

Sect. 1 SAFETY RULES

Sect. 2 TECHNICAL SPECIFICATIONS

Sect. 3 SCHEDULED MAINTENANCE INSPECTIONS

Sect. 4 SCHEDULED MAINTENANCE PROCEDURES

Sect. 5 TROUBLESHOOTING

Sect. 6 SCHEMES

Sect. 7 REPAIR PROCEDURES