

# FOREWORD

This manual contains maintenance and repair procedures.

In order to assure your safety and the efficient functioning of the lift truck, this manual should be read thoroughly. It is especially important that the PRECAUTIONS in the GI section be completely understood before starting any repair task.

All information in this manual is based on the latest product information at the time of publication. The right is reserved to make changes in specifications and methods at any time without notice.

## IMPORTANT SAFETY NOTICE

The proper performance of service is essential for both the safety of the technician and the efficient functioning of the lift truck.

The service methods in this Service Manual are described in such a manner that the service may be performed safely and accurately.

Service varies with the procedures used, the skills of the technician and the tools and parts available.

Accordingly, anyone using service procedures, tools or parts which are not specifically recommended by NISSAN must first be completely satisfied that neither personal safety nor the lift truck's safety will be jeopardized by the service method selected.

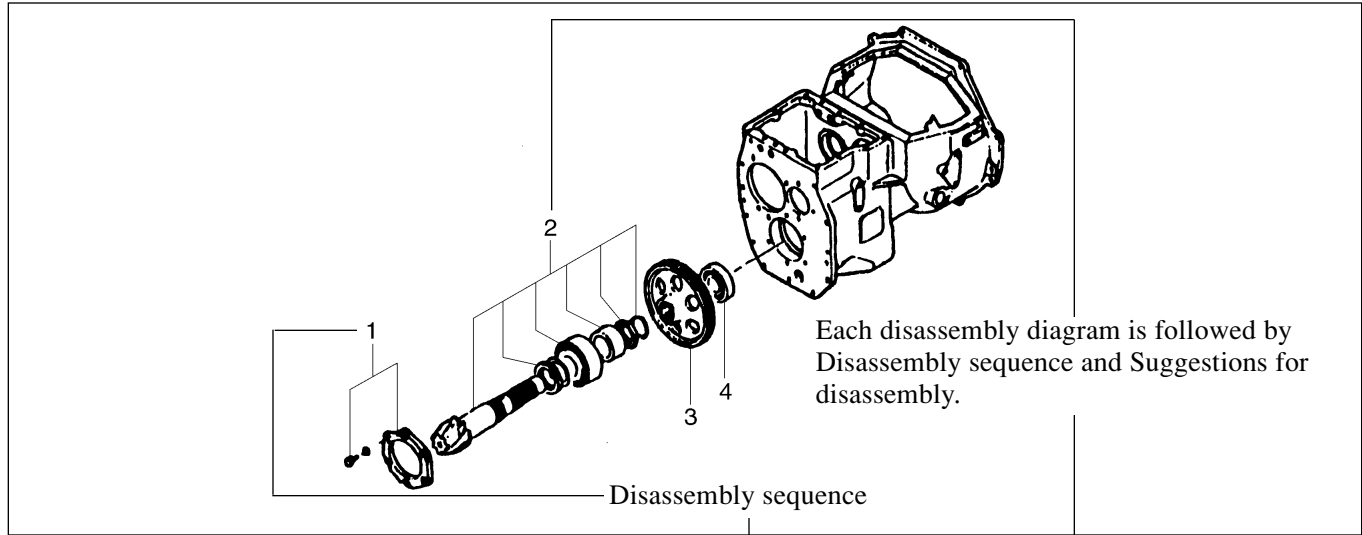
No modifications or alterations to a powered industrial truck, which may affect, for example, capacity, stability or safety requirements of the truck shall be made without the prior written approval of NISSAN, its authorized representative, or a successor thereof. Contact an authorized NISSAN FORKLIFT dealer before making any modification or alteration to your industrial truck that may affect, for example braking, steering, visibility and the addition of removable attachments. After getting approval of NISSAN, its authorized representative, or a successor thereof, capacity plate, decals tags and operation and maintenance handbooks shall also be changed to the appropriate one.

Only in the event that NISSAN is no longer in business and there is no successor in the interest to the business, the user may arrange for a modification or alteration to a powered industrial truck, provided, however, that the user shall:

- A. Arrange for the modification or alteration to be designed, tested and implemented by an engineer(s) expert in industrial trucks and their safety;
- B. Maintain a permanent record of the design, test(s) and implementation of the modification or alteration;
- C. Approve and make appropriate changes to the capacity plate(s), decals, tags and Instruction Handbook;
- D. Affix a permanent and readily visible label to the truck stating the manner in which the truck has been modified or altered together with the date of the modification or alteration, and the name and address of the organization that accomplished the tasks.

# HOW TO READ THIS MANUAL

## Disassembly diagram (example)

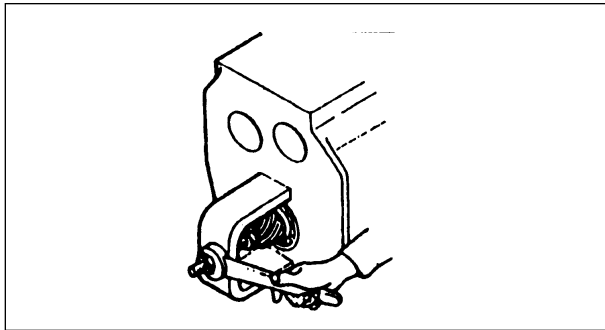


### Sequence

1. Cover [Bolt, Washer] (part name)
2. Output shaft (part name)

### Suggestion for disassembly

- (1) Output shaft removal



Unit: mm (in.)

Clearance between cylinder and piston	A	0.020 to 0.105 (0.00079 to 0.00413)
	B	0.15 (0.0059)

A: Standard value    B: Repair or service limit

### Symbols or abbreviations

- OP .....Option
- R1/4.....Taper pipe thread (external) 1/4 inch (formerly PT1/4)
- Rc1/8.....Taper pipe thread (internal) 1/8 inch (formerly PT1/8)
- G1/4A.....Straight pipe thread (external) 1/4 inch (formerly PF1/4-A)
- Rp1/8.....Straight pipe thread (internal) 1/8 inch (formerly PS1/8)

## SAFETY

 **WARNING**

The proper and safe lubrication and maintenance for this forklift truck, recommended by NISSAN, are outlined in the OPERATION & MAINTENANCE MANUAL for these trucks.

**Improper performance of lubrication or maintenance procedures is dangerous and could result in injury or death. Read and understand the OPERATION & MAINTENANCE MANUAL before performing any lubrication or maintenance.**

The serviceman or mechanic may be unfamiliar with many of the systems on this truck. This makes it important to use caution when performing service work. A knowledge of the system and/or components is important before the removal or disassembly of any component.

Because of the size of some of the truck components, the serviceman or mechanic should check the weights noted in this Manual. Use proper lifting procedures when removing any components.

Following is a list of basic precautions that should always be observed.

1. Read and understand all warning plates and decals on the truck before operating, lubricating or repairing the product.
2. Always wear protective glasses and protective shoes when working around trucks. In particular, wear protective glasses when pounding on any part of the truck or its attachments with a hammer or sledge. Use welders gloves, hood/goggles, apron and other protective clothing appropriate to the welding job being performed. Do not wear loose-fitting or torn clothing. Remove all rings from fingers when working on machinery.
3. Do not work on any truck that is supported only by lift jacks or a hoist. Always use blocks or jack stands to support the truck before performing any disassembly.

 **WARNING**

**Do not operate this truck unless you have read and understand the instructions in the OPERATION & MAINTENANCE MANUAL. Improper truck operation is dangerous and could result in injury or death.**

4. Lower the forks or other implements to the ground before performing any work on the truck. If this cannot be done, make sure the forks or other implements are blocked correctly to prevent them from dropping unexpectedly.
5. Use steps and grab handles (if applicable) when mounting or dismounting a truck. Clean any mud or debris from steps, walkways or work platforms before using. Always face truck when using steps, ladders and walkways. When it is not possible to use the designed access system, provide ladders, scaffolds, or work platforms to perform safe repair operations.
6. To avoid back injury, use a hoist when lifting components which weigh 23 kg (50 lb.) or more. Make sure all chains, hooks, slings, etc., are in good condition and are of the correct capacity. Be sure hooks are positioned correctly. Lifting eyes are not to be side loaded during a lifting operation.
7. To avoid burns, be alert for hot parts on trucks which have just been stopped and hot fluids in lines, tubes and compartments.
8. Be careful when removing cover plates. Gradually back off the last two bolts or nuts located at opposite ends of the cover or device and pry cover loose to relieve any spring or other pressure, before removing the last two bolts or nuts completely.
9. Be careful when removing filler caps, breathers and plugs on the truck. Hold a rag over the cap or plug to prevent being sprayed or splashed by liquids under pressure. The danger is even greater if the truck has just been stopped because fluids can be hot.

10. Always use tools that are in good condition and be sure you understand how to use them before performing any service work.
11. Reinstall all fasteners with same part number. Do not use a lesser quality fastener if replacements are necessary. Do not mix metric fasteners with standard nuts and bolts.
12. If possible, make all repairs with the truck parked on a level, hard surface. Block truck so it does not roll while working on or under truck.
13. Disconnect battery and discharge any capacitors (electric trucks) before starting to work on truck. Hang "Do not Operate" tag in the Operator's Compartment.
14. Repairs, which require welding, should be performed only with the benefit of the appropriate reference information and by personnel adequately trained and knowledgeable in welding procedures. Determine type of metal being welded and select correct welding procedure and electrodes, rods or wire to provide a weld metal strength equivalent at least to that of parent metal.
15. Do not damage wiring during removal operations. Reinstall the wiring so it is not damaged nor will it be damaged in operation by contacting sharp corners, or by rubbing against some object or hot surface. Do not connect wiring to a line containing fluid.
16. Be sure all protective devices including guards and shields are properly installed and functioning correctly before starting a repair. If a guard or shield must be removed to perform the repair work, use extra caution.
17. Always support the mast and carriage to keep carriage or attachments raised when maintenance or repair work is performed, which requires the mast in the raised position.
18. Loose or damaged fuel, lubricant and hydraulic lines, tubes and hoses can cause fires. Do not bend or strike high pressure lines or install ones which have been bent or damaged. Inspect lines, tubes and hoses carefully. Do not check for leaks with your hands. Pin hole (very small) leaks can result in a high velocity oil stream that will be invisible close to the hose. This oil can penetrate the skin and cause personal injury. Use cardboard or paper to locate pin hole leaks.
19. Tighten connections to the correct torque. Make sure that all heat shields, clamps and guards are installed correctly to avoid excessive heat, vibration or rubbing against other parts during operation. Shields that protect against oil spray onto hot exhaust components in event of a line, tube or seal failure, must be installed correctly.
20. Relieve all pressure in air, oil or water systems before any lines, fittings or related items are disconnected or removed. Always make sure all raised components are blocked correctly and be alert for possible pressure when disconnecting any device from a system that utilizes pressure.
21. Do not operate a truck if any rotating part is damaged or contacts any other part during operation. Any high speed rotating component that has been damaged or altered should be checked for balance before reusing.

# GROUP INDEX

<b>GENERAL INFORMATION</b>	Model view, Truck models covered, Serial number locations, Dimensions, Technical data	<b>1</b>
<b>COOLING SYSTEM</b>	Fan removal and installation, Fan belt inspection and adjustment	<b>2</b>
<b>ELECTRICAL SYSTEM</b>	Console box, Chassis electrical devices, Lamp bulb specifications, Battery maintenance, Electrical system schematic	<b>3</b>
<b>POWER TRAIN</b>	Removal and installation	<b>4</b>
<b>POWERSHIFT TRANSMISSION</b>	Torque converter, 1-speed transmission, Control valve, Automatic 2-speed transmission, Solenoid valve, Hydraulic control	<b>5</b>
<b>FRONT AXLE AND REDUCTION DIFFERENTIAL</b>	Front tires, Front axle, Reduction and differential	<b>6</b>
<b>REAR AXLE</b>	Rear tires, Rear axle, Toe-in, Minimum turning radius	<b>7</b>
<b>BRAKE SYSTEM</b>	Master cylinder, Wheel cylinders, Wheel brakes, Brake booster	<b>8</b>
<b>STEERING SYSTEM</b>	Steering gear, Power cylinder, Flow divider	<b>9</b>
<b>HYDRAULIC SYSTEM</b>	Hydraulic tank, Gear pump, Control valve, Lift and tilt cylinders, Flow regulator valve, Down safety valve	<b>10</b>
<b>MASTS AND FORKS</b>	Simplex mast, Duplex mast, Triplex mast	<b>11</b>
<b>SERVICE DATA</b>	Maintenance standards, Periodic service chart, Periodic replacement parts, Lubrication instructions, Special tools	<b>12</b>
<b>OPTIONS</b>	Radiator screen kit, Radiator plate-fin type kit, Elevated exhaust kit. Head lamp kit (installed on mast), Tail lamp upper relocate kit, etc.	<b>13</b>

