

[Click here to get the complete manual](#)

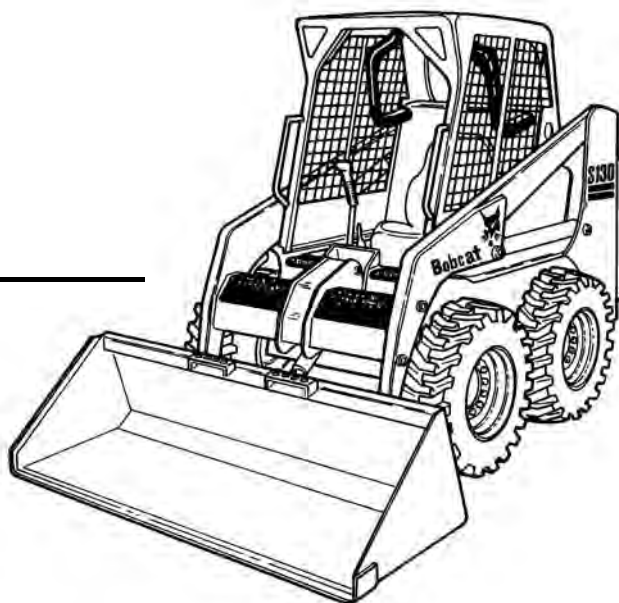
S130



Bobcat®

Service Manual

S/N 524611001 & Above
S/N 524711001 & Above



Doosan purchased Bobcat Company from Ingersoll-Rand Company in 2007. Any reference to Ingersoll-Rand Company or use of trademarks, service marks, logos, or other proprietary identifying marks belonging to Ingersoll-Rand Company in this manual is historical or nominative in nature, and is not meant to suggest a current affiliation between Ingersoll-Rand Company and Bobcat Company or the products of either.

**EQUIPPED WITH
BOBCAT INTERLOCK
CONTROL SYSTEM (BICS™)**



Printed in U.S.A.

6902680 (6-12)

© Bobcat Company 2006

ALPHABETICAL INDEX

ADVANCED CONTROL SYSTEM (ACS)		FAN GEARBOX.....	10-01
ADVANCE HAND CONTROL	60-01	FINAL DRIVE TRANSMISSION (CHAINCASE).....	10-01
ADVANCED CONTROL SYSTEM (ACS)		FLYWHEEL AND HOUSING	70-01
SELECTRABLE HAND/FOOT CONTROL.....	60-01	FRONT AUXILIARY HYDRAULIC	
ADVANCED HAND CONTROL (AHC) SYSTEM....	60-01	COUPLER BLOCK	20-01
ADVANCED HAND CONTROL (AHC)		FRONT AUXILIARY PRESSURE	
SYSTEM (W/PUSH BUTTON FLOAT)	60-01	RELIEF BLOCK.....	20-01
AIR CLEANER SERVICE	10-01, 70-01	FUEL SYSTEM.....	10-01
		FUEL TANK.....	50-01
BASIC TROUBLESHOOTING	80-01	HEATER UNIT.....	80-01
BATTERY	60-01	HEATER COIL.....	80-01
BICS™ SYSTEM	60-01	HEATER FAN	80-01
BOBCAT CONTROLLER	60-01	HEATER VALVE	80-01
BOBCAT INTERLOCK		HYDRAULIC CONNECTION SPECS	SPEC-01
CONTROL SYSTEM (BICS™)	60-01	HYDRAULIC CONTROL VALVE (ADVANCED	
BOB-TACH	10-01, 50-01	CONTROL SYSTEM) (ACS)	20-01
BRAKE	40-01	HYDRAULIC CONTROL VALVE	
BUCKET POSITION VALVE.....	20-01	(FOOT CONTROL).....	20-01
		HYDRAULIC FLUID RESERVOIR	20-01
		HYDRAULIC/HYDROSTATIC FILTER.....	20-01
CHAINCASE	40-01	HYDRAULIC FLUID SPECIFICATIONS	SPEC-01
CHARGE PRESSURE	30-01	HYDRAULIC/HYDROSTATIC SYSTEM	10-01
COMPONENTS	80-01	HYDRAULIC SYSTEM INFORMATION	20-01
CONTROL HANDLE	50-01	HYDRAULIC PUMP	20-01
CONTROL HANDLE		HYDROSTATIC MOTOR	30-01
(ADVANCE HAND CONTROL) (AHC).....	50-01	HYDROSTATIC PUMP	30-01
CONTROL HANDLE (ADVANCED CONTROL SYSTEM)		HYDROSTATIC SYSTEM INFORMATION.....	30-01
(ACS) ADVANCED HAND CONTROL.....	50-01		
CONTROL PANEL.....	50-01	INSTRUMENT PANEL	60-01
CONTROL PEDALS	50-01		
CONTROL PEDALS (ACS)	50-01	LIFT ARM	50-01
CONVERSIONS	SPEC-01	LIFT ARM BY-PASS CONTROL VALVE	20-01
COOLING FAN	70-01	LIFT ARM SUPPORT DEVICE	10-01
CYLINDER (LIFT).....	20-01	LIFTING AND BLOCKING THE LOADER.....	10-01
CYLINDER (POWER BOB-TACH)	20-01	LIGHTS.....	60-01
CYLINDER (TILT).....	20-01	LOADER SPECIFICATIONS.....	SPEC-01
		LUBRICATION OF THE BOBCAT LOADER.....	10-01
DIAGNOSTICS	60-01	MAIN RELIEF VALVE	20-01
DRIVE BELT	30-01	MUFFLER.....	70-01
DRIVE COMPONENTS	40-01		
		OIL COOLER.....	30-01
ELECTRICAL/HYD. CONTROLS REFERENCE	60-01	OPERATOR CAB	10-01, 50-01
ELECTRICAL SYSTEM INFORMATION	60-01	OPERATOR SEAT	50-01
ENGINE	70-01	OPERATOR SEAT (SUSPENSION).....	50-01
ENGINE COMPONENTS AND TESTING	70-01		
ENGINE COOLING SYSTEM.....	10-01	POWER BOB-TACH	50-01
ENGINE LUBRICATION SYSTEM	10-01	POWER BOB-TACH BLOCK	50-01
ENGINE SPECIFICATIONS.....	SPEC-		
ENGINE SPEED CONTROL	70-01		

Continued On Next Page