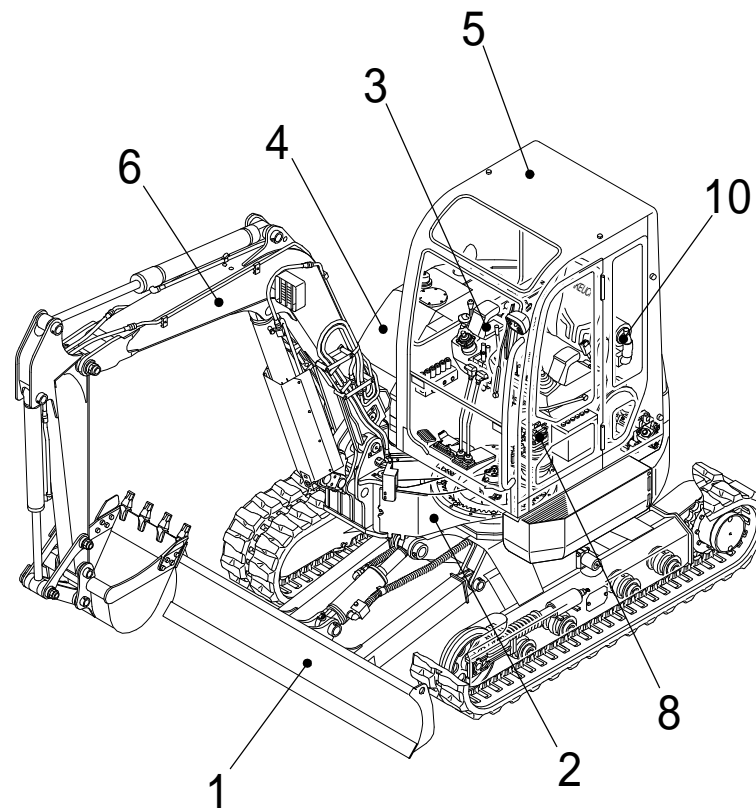


TB138FR

Book No. BG5Z000
Serial No.13810003-



TAKEUCHI

						INDEX
Item	Part number	Description	Q'ty	Chan.	Serial No.	Serv. Remarks
1		UNDERCARRIAGE				
2		TURNTABLE & CONTROL LEVER				
3		ENGINE & ELECTRICAL SYSTEM				
4		HYDRAULIC PIPNG & TANK				
5		COVER & CAB				
6		HOE ATTACHMENT				
7		DECAL & TOOL				
8		HYDRAULIC DEVICE				
10		ENGINE				
		2006.11.28				

NAME	Page
LOWER FRAME	1-1
CRAWLER BELT	1-2
CRAWLER BELT (with rubber pads)	1-3
CARRIER ROLLER	1-4
TRACK ROLLER	1-5
FRONT IDLER	1-6
TRACK ADJUSTER	1-7
TRAVEL DEVICE	1-8
SLEW BEARING	1-9
SWIVEL JOINT & ACCESSORIES	1-10
DOZER BLADE	1-11
PIPING; LOWER	1-12
SLEWING DEVICE	2-1
TURNTABLE	2-2
BOOM OFFSET (1/2)	2-3
BOOM OFFSET (2/2)	2-4
OFFSET SWITCH	2-5
TRAVEL LEVER	2-6
DOZER BLADE LEVER	2-7
OPERATION LEVER & STAND	2-8
PIPING; OPERATION LEVER (1/2)	2-9
PIPING; OPERATION LEVER (2/2)	2-10
PIPING; OPERATION LEVER (1/2) (ISO-JCB pattern)	2-11
PIPING; OPERATION LEVER (2/2) (ISO-JCB pattern)	2-12
ENGINE & ACCESSORIES (1/3)	3-1
ENGINE & ACCESSORIES (2/3)	3-2
ENGINE & ACCESSORIES (3/3)	3-3
AIR CLEANER (for double element)	3-4
DRAIN PLUG	3-5
CONTROL BOX	3-6
ENGINE CONTROL	3-7
DECEL UNIT	3-8
ELECTRICAL (1/2)	3-9
ELECTRICAL (2/2)	3-10
TRAVEL ALARM	3-11
BATTERY	3-12
RADIO	3-13
WINDOW WASHER	3-14
CANOPY LIGHT	3-15
VALVE & ACCESSORIES (1/2)	4-1
VALVE & ACCESSORIES (1/2) (1st aux. proportional cont.)	4-2
VALVE & ACCESSORIES (2/2)	4-3
PIPING; UPPER (1/3)	4-4
PIPING; UPPER (2/3)	4-5
PIPING; UPPER (3/3) (with 2nd aux. lines)	4-6
PIPING; UPPER (1/3) (1st aux. proportional cont.)	4-7
PIPING; UPPER (2/3) (1st aux. proportional cont.)	4-8