

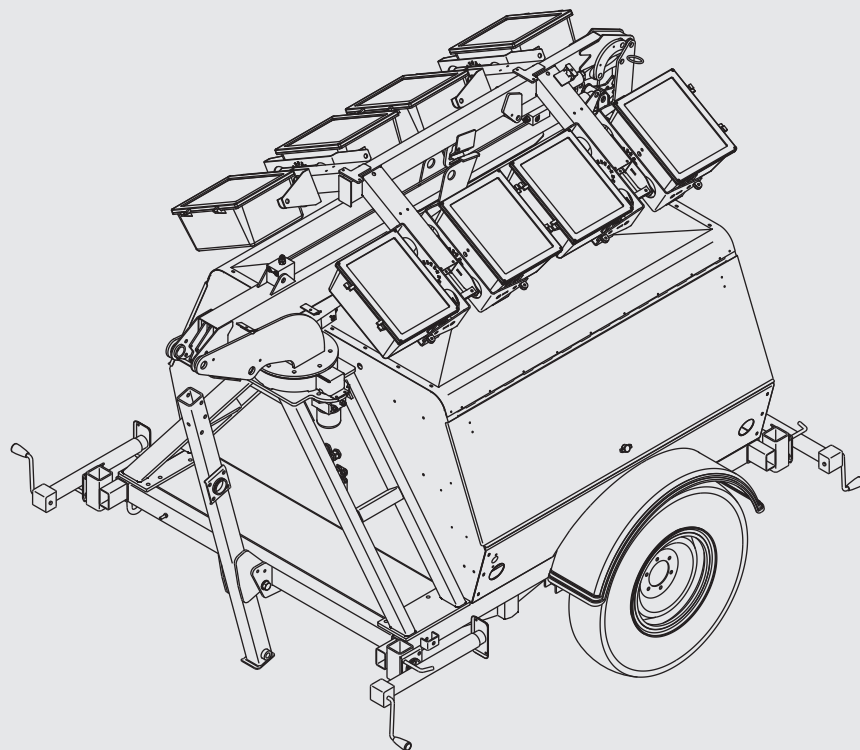
[Click here to get the complete manual](#)



TEREX®

Service Manual

AL8000HT™



First Edition

Rev A

Part No. 116478

September 2008



Table of Contents

Introduction

Important Information	<i>ii</i>
How to Read Your Serial Number	<i>iii</i>
Parts Stocking List	<i>x</i>
How to Order Parts	<i>xi</i>
Service Parts Fax Order Form	<i>xii</i>

Section 1 **Safety Rules**

General Safety Rules	<i>iv</i>
----------------------------	-----------

Section 2 **Rev Specifications**

A Machine Specifications	2 - 1
Performance Specifications	2 - 1
Hydraulic Oil Specifications	2 - 2
Hydraulic Component Specifications	2 - 2
Manifold Component Specifications	2 - 3
Kubota D1105-E Engine	2 - 4
Kubota V1505-E Engine	2 - 5
Isuzu 4LE1 Engine	2 - 6
Generator Specifications	2 - 7
Hydraulic Hose and Fitting Torque Specifications	2 - 8
SAE and Metric Fasteners Torque Charts	2 - 9
Genset Torque Specifications	2 - 10

Section 3 **Rev Scheduled Maintenance Procedures**

Introduction	3 - 1
Pre-delivery Preparation Report	3 - 3
Maintenance Inspection Report	3 - 5
A Checklist A Procedures	
A-1 Inspect the Manuals and Decals	3 - 7
A-2 Perform Pre-operation Inspection	3 - 8
A-3 Perform Function Tests	3 - 8