

# TEREX®

---

## SERVICE MANUAL

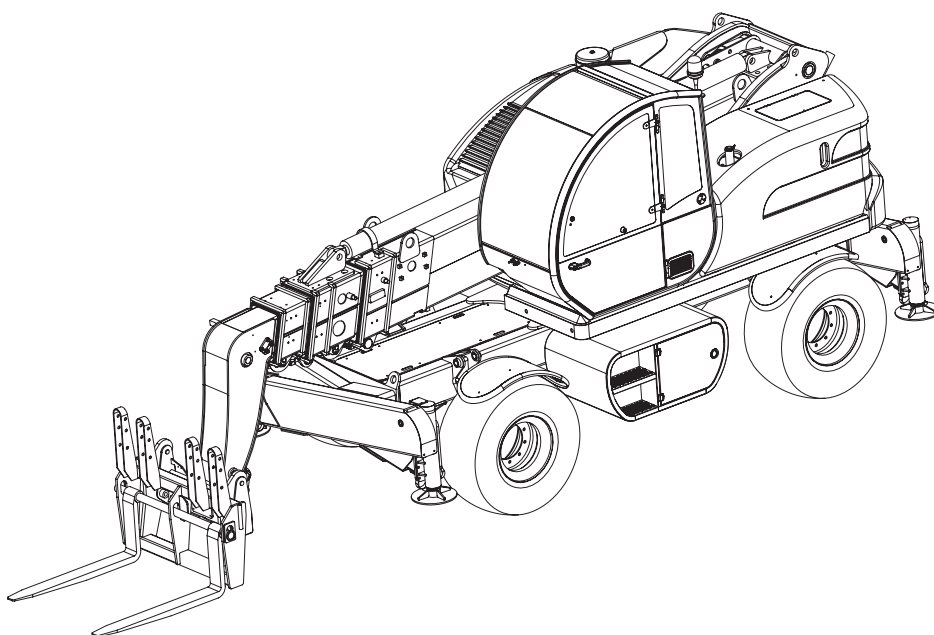
Code 57.4402.8200 - 1<sup>st</sup> Edition 03/2007

---

*Handler with telescopic boom*

**Gyro 4020** *(From serial n. 12888)*

**Gyro 4518** *(From serial n. 12508)*



**English**  
Edition

**INDEX**

**MANUAL CONTENTS****INTRODUCTION****Sect. 1 SAFETY RULES****Sect. 2 TECHNICAL SPECIFICATIONS****Sect. 3 SCHEDULED MAINTENANCE INSPECTIONS****Sect. 4 SCHEDULED MAINTENANCE PROCEDURES****Sect. 5 TROUBLESHOOTING****Sect. 6 SCHEMES****Sect. 7 REPAIR PROCEDURES**