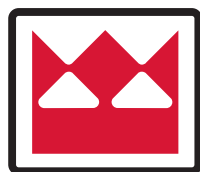


[Click here to get the complete manual](#)



# TEREX®

---

## WORKSHOP MANUAL

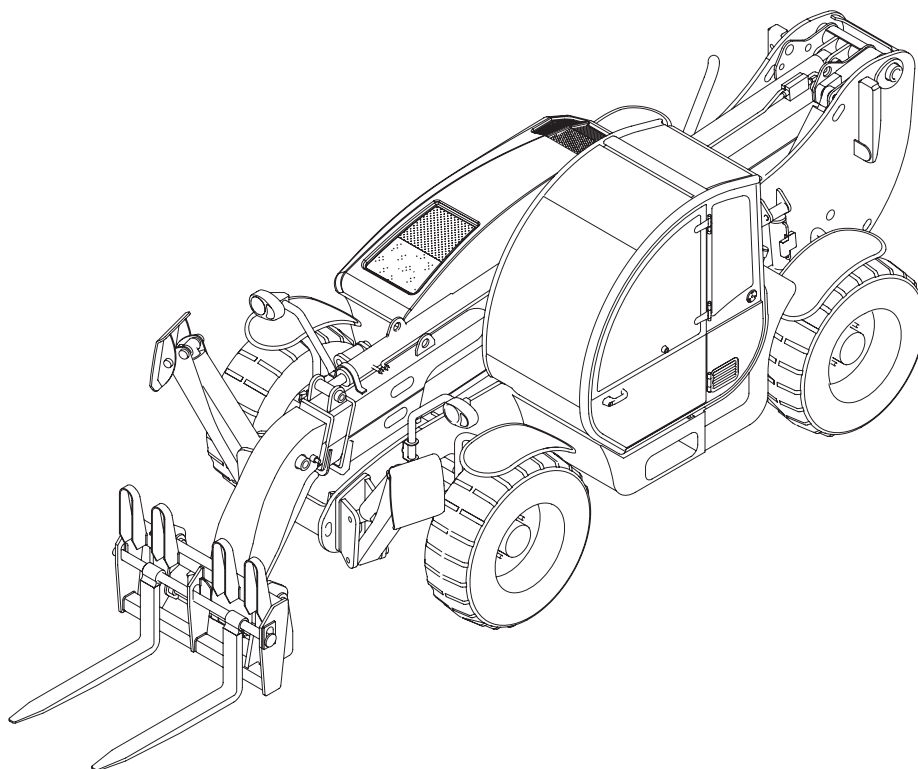
Code 57.4401.1200 - 2<sup>nd</sup> Edition 01/2007

---

*Handler with telescopic boom*

# Telelift 4013

*(From serial n. 13308)*



**English**  
Edition

**INDEX**

**MANUAL CONTENTS****INTRODUCTION****Sect. 1 SAFETY RULES****Sect. 2 TECHNICAL SPECIFICATIONS****Sect. 3 SCHEDULED MAINTENANCE INSPECTIONS****Sect. 4 SCHEDULED MAINTENANCE PROCEDURES****Sect. 5 TROUBLESHOOTING****Sect. 6 SCHEMES****Sect. 7 REPAIR PROCEDURES**