



VMD70/VMD100

[Section 1 - General Information](#)

[Section 2 - Care and Safety](#)

[Section 3 - Routine Maintenance](#)

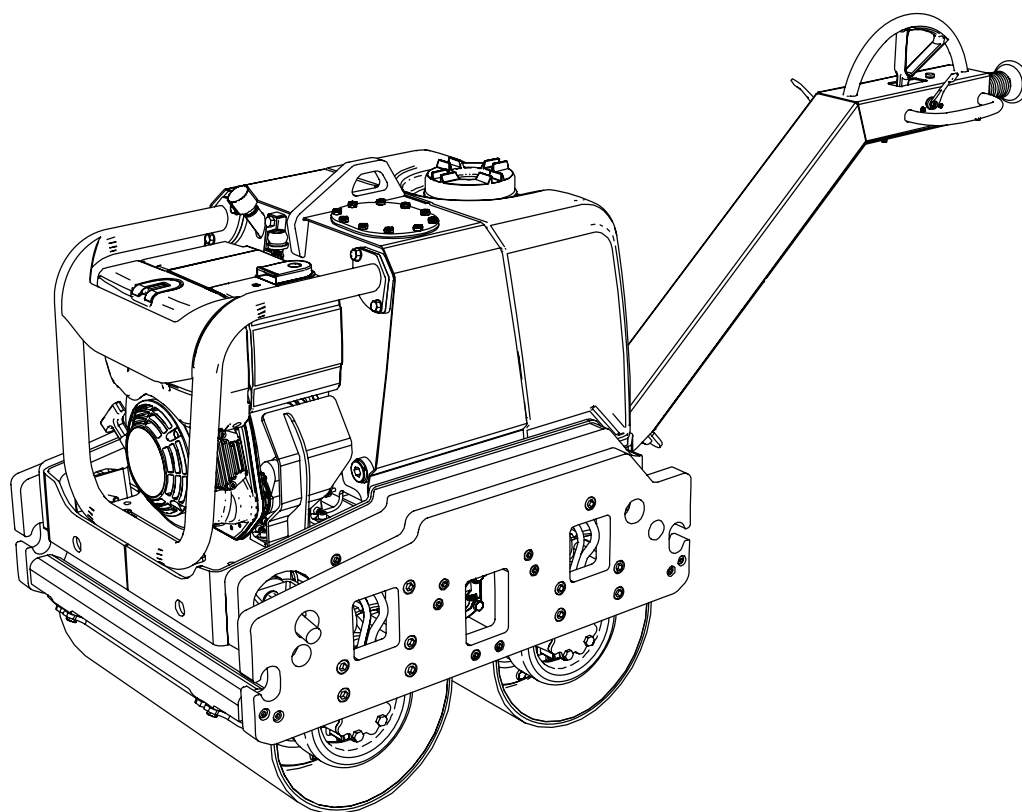
[Section B - Body and Framework](#)

[Section C - Electrics](#)

[Section E - Hydraulics](#)

[Section K - Engine](#)

[Section L - Vibration](#)



Publication No.
9813/0300-1



Copyright © 2004 JCB SERVICE. All rights reserved. No part of this publication may be reproduced, stored in a retrieval system, or transmitted in any form or by any other means, electronic, mechanical, photocopying or otherwise, without prior permission from JCB SERVICE.

