

[Click here to get the complete manual](#)

WX148 Wheeled Excavator

SERVICE MANUAL

I/I

Part number 47500167

English

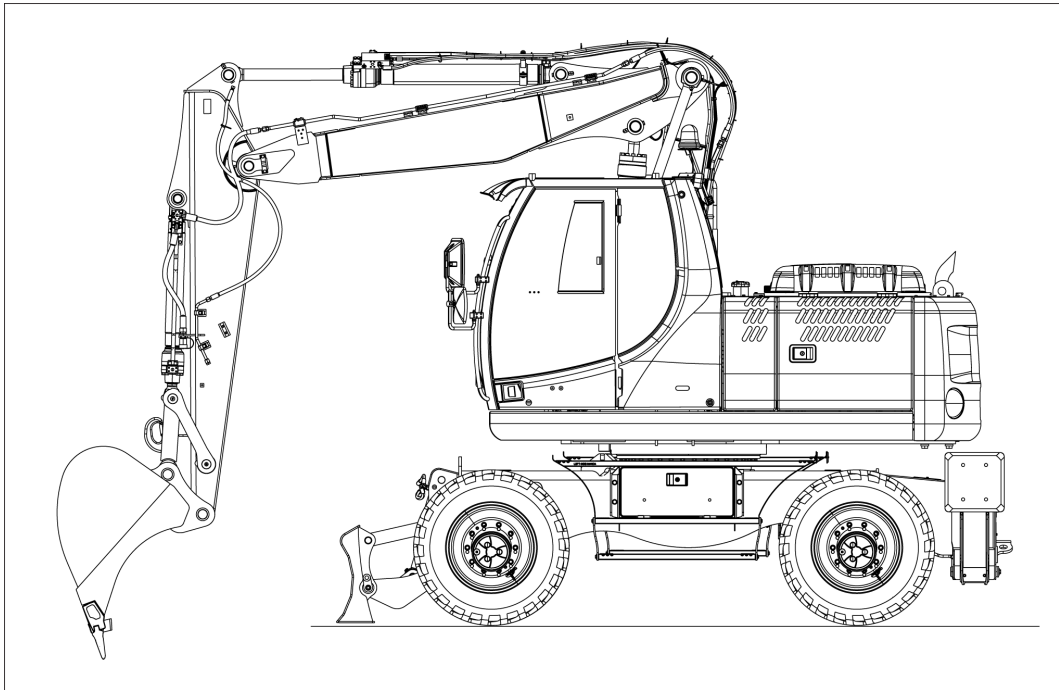
January 2013

Copyright © 2013 CNH Europe Holding S.A. All Rights Reserved.

CASE
CONSTRUCTION



SERVICE MANUAL



WX148

Contents

INTRODUCTION

Engine.....	10
[10.001] Engine and crankcase	10.1
[10.202] Air cleaners and lines	10.2
[10.206] Fuel filters	10.3
[10.216] Fuel tanks	10.4
[10.254] Intake and exhaust manifolds and muffler	10.5
[10.400] Engine cooling system	10.6
Transmission.....	21
[21.105] Powershift transmission lubrication system	21.1
[21.113] Powershift transmission	21.2
[21.135] Powershift transmission external controls.....	21.3
[21.155] Powershift transmission internal components.....	21.4
Four-Wheel Drive (4WD) system	23
[23.314] Drive shaft.....	23.1
Front axle system	25
[25.100] Powered front axle	25.1
[25.102] Front bevel gear set and differential	25.2
[25.108] Final drive hub, steering knuckles, and shafts	25.3
[25.122] Axle suspension control.....	25.4
Rear axle system.....	27
[27.100] Powered rear axle.....	27.1
[27.106] Rear bevel gear set and differential.....	27.2
[27.120] Planetary and final drives	27.3
Brakes and controls	33
[33.110] Parking brake or parking lock	33.1

[33.202] Hydraulic service brakes	33.2
Hydraulic systems.....	35
[35.000] Hydraulic systems.....	35.1
[35.102] Pump control valves.....	35.2
[35.106] Variable displacement pump	35.3
[35.300] Reservoir, cooler, and filters.....	35.4
[35.304] Combination pump units	35.5
[35.352] Hydraulic swing system	35.6
[35.353] Hydraulic travel system	35.7
[35.354] Hydraulic central joint	35.8
[35.357] Pilot system	35.9
[35.359] Main control valve.....	35.10
[35.360] Hammer and rotating bucket hydraulic system	35.11
[35.703] Stabilizer hydraulic system.....	35.12
[35.730] Positioning arm hydraulic system	35.13
[35.736] Boom hydraulic system	35.14
[35.737] Dipper hydraulic system.....	35.15
[35.738] Excavator and backhoe bucket hydraulic system.....	35.16
[35.741] Dozer blade cylinders	35.17
Frames and ballasting	39
[39.103] Swing ring assembly	39.1
[39.129] Stabilizers	39.2
[39.140] Ballasts and supports	39.3
Steering.....	41
[41.101] Steering control	41.1
[41.106] Tie rods.....	41.2
[41.200] Hydraulic control components.....	41.3
[41.216] Cylinders	41.4
Wheels.....	44

[44.511] Front wheels.....	44.1
Cab climate control	50
[50.200] Air conditioning	50.1
Electrical systems	55
[55.000] Electrical system	55.1
[55.010] Fuel injection system	55.2
[55.012] Engine cooling system	55.3
[55.014] Engine intake and exhaust system.....	55.4
[55.015] Engine control system.....	55.5
[55.020] Transmission speed sensors.....	55.6
[55.031] Parking brake electrical system	55.7
[55.036] Hydraulic system control	55.8
[55.050] Heating, Ventilation, and Air-Conditioning (HVAC) control system.....	55.9
[55.100] Harnesses and connectors.....	55.10
[55.110] Electrical rotary joint.....	55.11
[55.302] Battery.....	55.12
[55.404] External lighting	55.13
[55.425] Boom, dipper, and bucket control system.....	55.14
[55.512] Cab controls.....	55.15
[55.514] Cab lighting	55.16
[55.525] Cab engine controls	55.17
[55.530] Camera.....	55.18
[55.640] Electronic modules	55.19
Booms, dippers, and buckets	84
[84.100] Bucket.....	84.1
[84.910] Boom	84.2
Dozer blade and arm.....	86
[86.110] Dozer blade	86.1