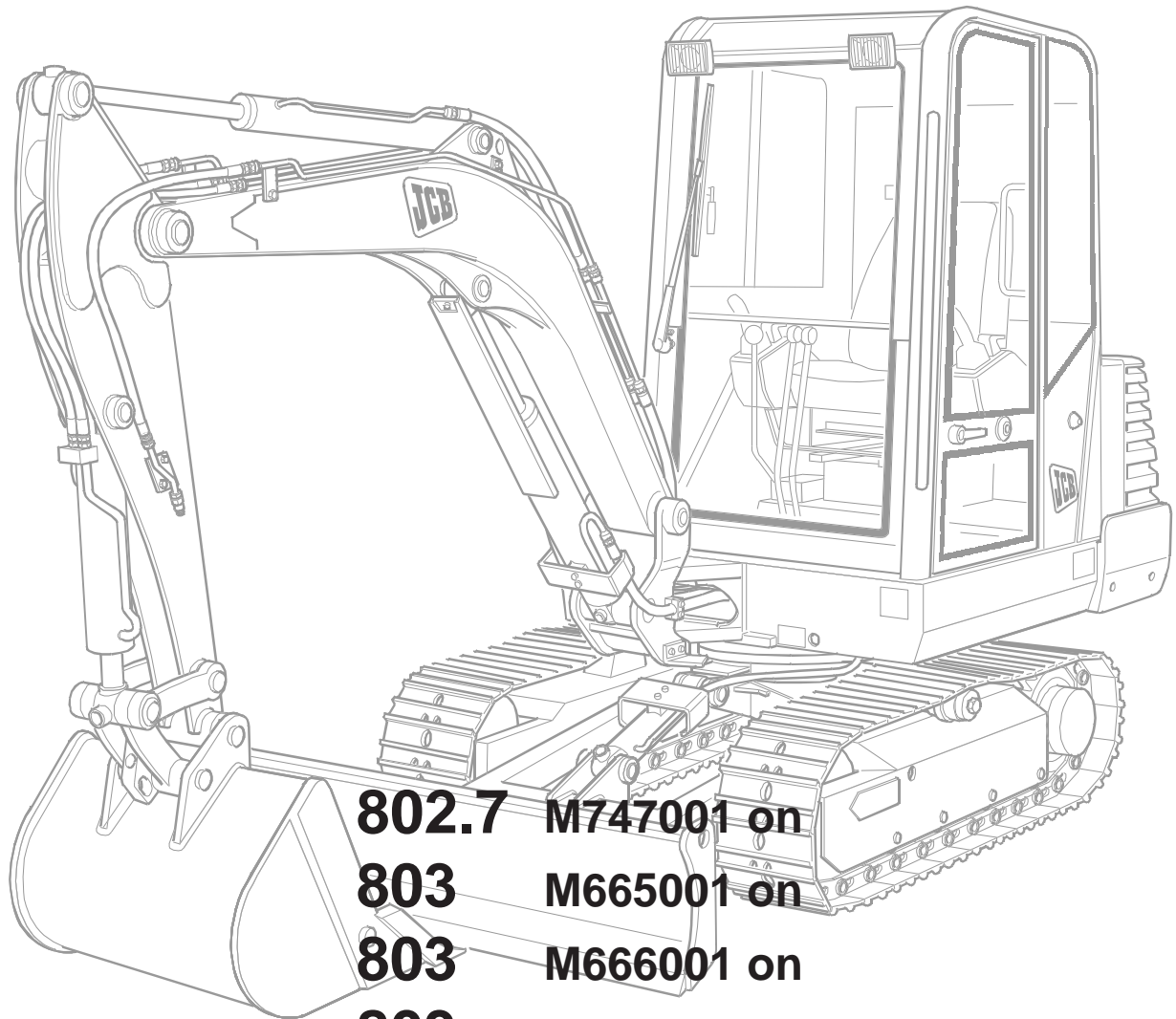




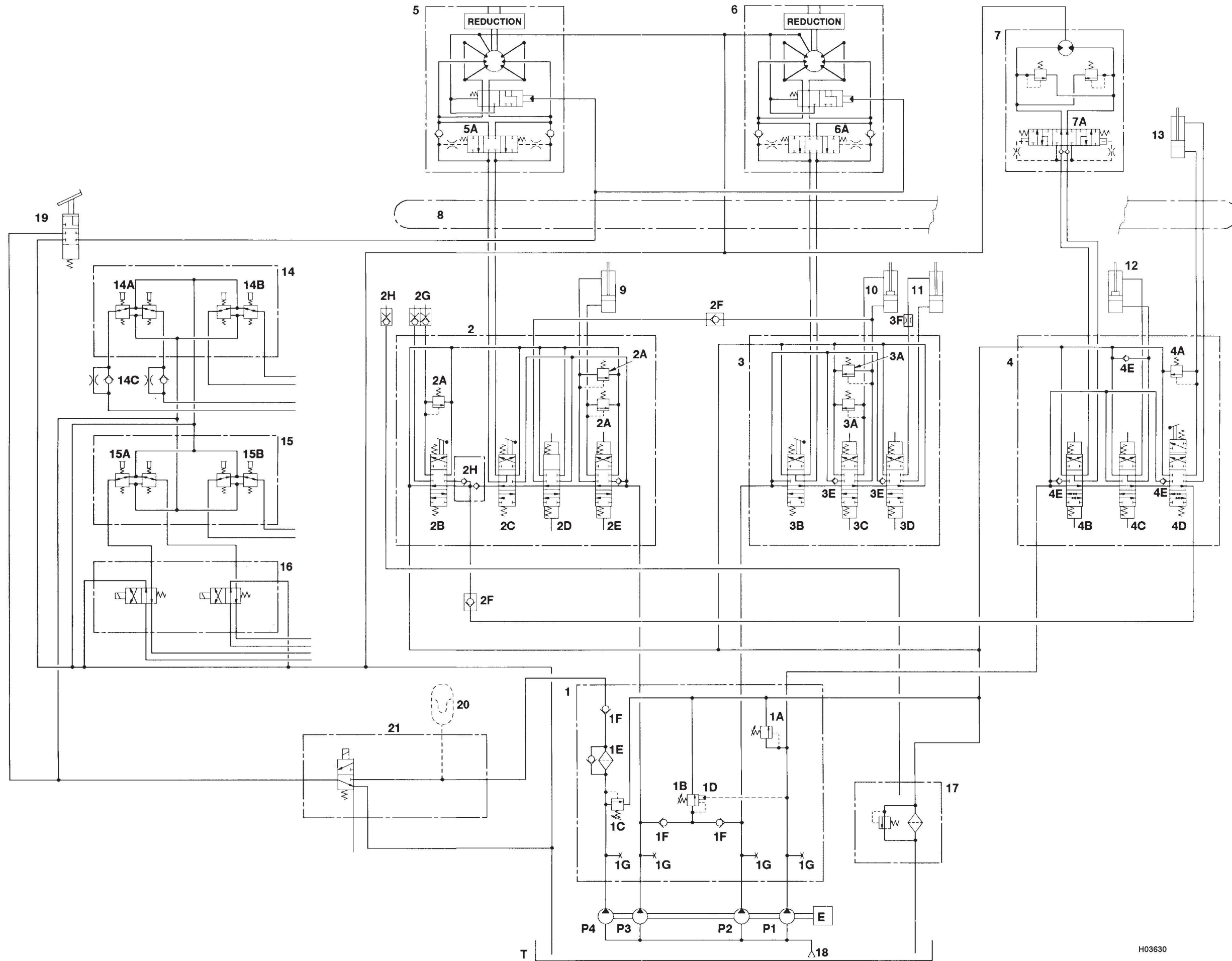
MINI-EXCAVATOR SERVICE MANUAL

HYDRAPOWER



802.7 M747001 on
803 M665001 on
803 M666001 on
803 M765001 on
804 M734001 on

JCB Hydrapower Ltd
Riverside
Rugeley
Staffordshire
WS15 2WA
England



H03630

HYDRAULIC CIRCUIT (SCHEMATIC)***803 Machines****Component Key**

P1	Pump Section 1	14	R.H. Servo Hand Controller
P2	Pump Section 2	14A	Boom Control
P3	Pump Section 3	14B	Bucket Control
P4	Pump Section 4 to M665736	14C	Check Valves (Standard setup)
T	Tank	15	L.H. Servo Hand Controller
E	Engine	15A	Swing / Slew Control
1	Main Relief Valve Test Block	15B	Dipper Control
1A	Swing/Slew Dozer Main Relief Valve	16	Dual Solenoid Valve
1B	Digging and Tracking Main Relief Valve	17	Return Filter
1C	Servo Main Relief Valve	18	Suction Strainer
1D	Pressure Reducing Valve	19	High Speed Selector
1E	By-pass Filter	*20	Accumulator M665143 on
1F	Non-return Valves	21	Solenoid Lock Valve
1G	Gauge Connection Points	22	High Pressure Carry Over (HPCO) M666001 on
2	Valve Block	23	Servo Pressure Maintenance Valve Block M666001 on
2A	Auxiliary Relief Valves	23A	Pressure Maintenance Valve M666001 on
2B	Auxiliary Spool	24	Oil Cooler M666001 on
2C	Track Spool to M665736		
2D	Boom Boost Spool		
2E	Dipper Spool		
2F	Non-return Valves		
2G	Auxiliary Couplings (Double Acting)		
2H	Auxiliary Couplings (Single Acting)		
3	Valve Block		
3A	Auxiliary Relief Valves		
3B	Track Spool		
3C	Boom Spool		
3D	Bucket Spool		
3E	Non-return Valves		
3F	Restrictor		
4	Valve Block to M665736		
4A	Auxiliary Relief Valves to M665736		
4B	Slew Spool		
4C	Swing Spool		
4D	Dozer Spool		
4E	Non-return Valves to 665736		
5	L.H. Track Motor		
5A	Counterbalance Valve		
6	R.H. Track Motor		
6A	Counterbalance Valve		
7	Slew Motor		
7A	Brake Valve		
8	Rotary Coupling		
9	Dipper Ram		
10	Boom Ram		
11	Bucket Ram		
12	Swing Ram		
13	Dozer Ram		